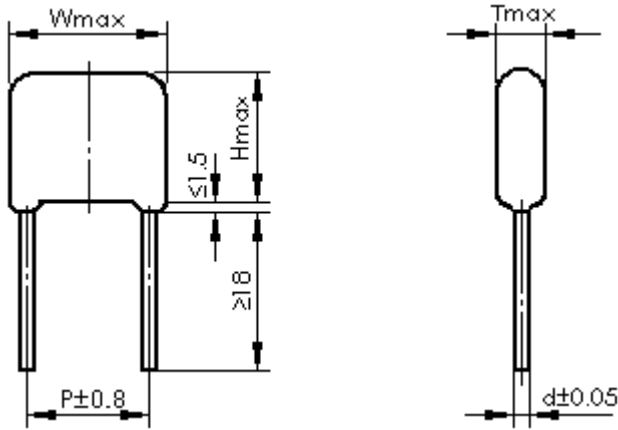


CBB21L 型金属化聚丙烯膜电容器（浸渍型） Metallized Polypropylene Film Capacitor (Dipped)

◆ 外形尺寸图及产品结构 Outline Drawing and Capacitor Construction



◆ 特点及用途 Application and Feature

金属化聚丙烯薄膜，电性能良好，适用于开关电源、电子镇流器和变频器等直流滤波(PFC、DC-Link 等)。
Metallized polypropylene film, excellent electric property. Suitable for the DC filter, DC-blocking circuit (PFC, DC-Link).

◆ 技术要求 Specifications

参照标准 Reference Standard	GB 10190、IEC 60384-16
气候类别 Climatic Category	40/105/21
工作温度范围 Operation Temperature Range	-40℃~105℃
额定温度 Rated Temperature	85℃
额定电压 Rated Voltage	400Vdc/450Vdc、630Vdc
电容量范围 Capacitance Range	0.047μF~1.0μF
电容量偏差 Capacitance Tolerance	±5%(J)、±10%(K)、±20%(M) (20℃, 1kHz)
耐电压 Voltage Proof	U=1.6UR (20℃, 5s)
绝缘电阻 Insulation Resistance	$C_R \leq 0.33\mu F$, $IR \geq 60\ 000M\Omega$ $C_R > 0.33\mu F$, $IR \times C \geq 20\ 000s$ (20℃, 100Vdc, 1min)
损耗角正切 Dissipation Factor	≤ 0.0010 (1kHz, 20℃) ≤ 0.0020 (10kHz, 20℃) ($C_R \leq 1\mu F$)
最大脉冲爬升斜率 Max dV/dt	200 V/μs
说明：电容器的工作电压随温度上升而下降，在 85~105℃之间，以 85℃为基准，环境温度每上升 1℃，电容器的额定工作电压应降低 1.25%。 Note: The working voltage of the capacitor decreases as the temperature rises. between 85~105℃, take 85℃ as the base, the temperature rises 1℃, the rated working voltage of the capacitor decreases 1.25%.	



CBB21L

CBB21L series

◆ 产品尺寸: Product Dimension:

400/450Vdc [▲]								630Vdc							
C (μF)	W	H	T	P	d	产品代码 Part number	MOQ	C (μF)	W	H	T	P	d	产品代码 Part number	MOQ
0.047	9.8	7.1	3.5	7.5	0.5	CB21473-2G3L****	1000	0.0220	9.8	7.6	3.9	7.5	0.5	CB21223-2J3L****	1000
0.056	9.8	7.5	3.7	7.5	0.5	CB21563-2G3L****	1000	0.0270	9.8	7.6	3.9	7.5	0.5	CB21273-2J3L****	1000
0.068	9.8	7.5	3.7	7.5	0.5	CB21683-2G3L****	1000	0.0330	9.8	7.6	3.9	7.5	0.5	CB21333-2J3L****	1000
0.082	9.8	7.5	3.7	7.5	0.5	CB21823-2G3L****	1000	0.0390	9.8	7.6	3.9	7.5	0.5	CB21393-2J3L****	1000
0.1	9.8	7.6	3.7	7.5	0.5	CB21104-2G3L****	1000	0.0470	9.8	7.6	3.9	7.5	0.5	CB21473-2J3L****	1000
0.12	9.8	7.9	4.0	7.5	0.5	CB21124-2G3L****	1000	0.0560	9.8	7.6	3.9	7.5	0.5	CB21563-2J3L****	1000
0.15	9.8	8.3	4.4	7.5	0.5	CB21154-2G3L****	1000	0.0680	9.8	7.6	4.0	7.5	0.5	CB21683-2J3L****	1000
0.18	9.8	9.0	4.5	7.5	0.5	CB21184-2G3L****	1000	0.0820	9.8	8.0	4.0	7.5	0.5	CB21823-2J3L****	1000
0.22	9.8	10.0	4.7	7.5	0.5	CB21224-2G3L****	1000	0.1000	9.8	8.4	4.4	7.5	0.5	CB21104-2J3L****	1000
0.1	12.3	7.5	3.5	10.0	0.6	CB21104-2G4L****	500	0.1200	9.8	9.3	4.5	7.5	0.5	CB21124-2J3L****	1000
0.12	12.3	7.5	3.5	10.0	0.6	CB21124-2G4L****	500	0.1500	9.8	9.8	5.0	7.5	0.5	CB21154-2J3L****	1000
0.15	12.3	7.8	3.8	10.0	0.6	CB21154-2G4L****	500	0.1800	9.8	11.0	5.3	7.5	0.5	CB21184-2J3L****	1000
0.18	12.3	8.0	4.0	10.0	0.6	CB21184-2G4L****	500	0.2200	9.8	11.5	6.0	7.5	0.5	CB21224-2J3L****	1000
0.22	12.3	8.5	4.5	10.0	0.6	CB21224-2G4L****	500	0.1000	12.3	7.8	3.7	10.0	0.6	CB21104-2J4L****	500
0.27	12.3	8.8	5.0	10.0	0.6	CB21274-2G4L****	500	0.1200	12.3	8.0	4.0	10.0	0.6	CB21124-2J4L****	500
0.33	12.3	9.3	5.4	10.0	0.6	CB21334-2G4L****	500	0.1500	12.3	8.5	4.4	10.0	0.6	CB21154-2J4L****	500
0.39	12.3	10.7	5.2	10.0	0.6	CB21394-2G4L****	500	0.1800	12.3	9.4	4.5	10.0	0.6	CB21184-2J4L****	500
0.47	12.3	11.1	5.7	10.0	0.6	CB21474-2G4L****	500	0.2200	12.3	9.8	5.0	10.0	0.6	CB21224-2J4L****	500
0.56	12.3	12.5	6.3	10.0	0.6	CB21564-2G4L****	500	0.2700	12.3	10.9	5.2	10.0	0.6	CB21274-2J4L****	500
0.47	17.5	10.4	4.5	15.0	0.6	CB21474-2G6L****	500	0.3300	12.3	11.4	5.8	10.0	0.6	CB21334-2J4L****	500
0.56	17.5	11.0	5.0	15.0	0.6	CB21564-2G6L****	500	0.3900	12.3	13.3	6.0	10.0	0.6	CB21394-2J4L****	500
0.68	17.5	11.5	5.5	15.0	0.6	CB21684-2G6L****	500	0.4700	12.3	13.9	6.6	10.0	0.6	CB21474-2J4L****	500
0.82	17.5	12.3	6.0	15.0	0.6	CB21824-2G6L****	500	0.3300	17.5	11.0	5.2	15.0	0.6	CB21334-2J6L****	500
1.0	17.5	12.9	6.5	15.0	0.6	CB21105-2G6L****	500	0.4700	17.5	11.2	5.4	15.0	0.6	CB21474-2J6L****	500
								0.5600	17.5	11.6	5.9	15.0	0.6	CB21564-2J6L****	500
								0.6800	17.5	13.3	6.0	15.0	0.6	CB21684-2J6L****	500
								0.8200	17.5	13.9	6.6	15.0	0.6	CB21824-2J6L****	500
								1.0000	17.5	14.6	7.4	15.0	0.6	CB21105-2J6L****	500

备注:

- “-”: 客户要求的容量偏差
- “****”: 引线加工和包装代码 (见 15 页表 4)
- “▲”: 额定电压为 450V 时, 第 9~10 位为 2S
- MOQ: 最小订单量

- “-”=custom's capacitor tolerance code, J=±5%, K=±10%, M=±20%
- “****”= Lead form and packing code (refer to table 4 in page 15)
- “▲”=when the rated voltage is 450Vdc, the digit 9~10 is 2S
- MOQ = Minimum order quantity